



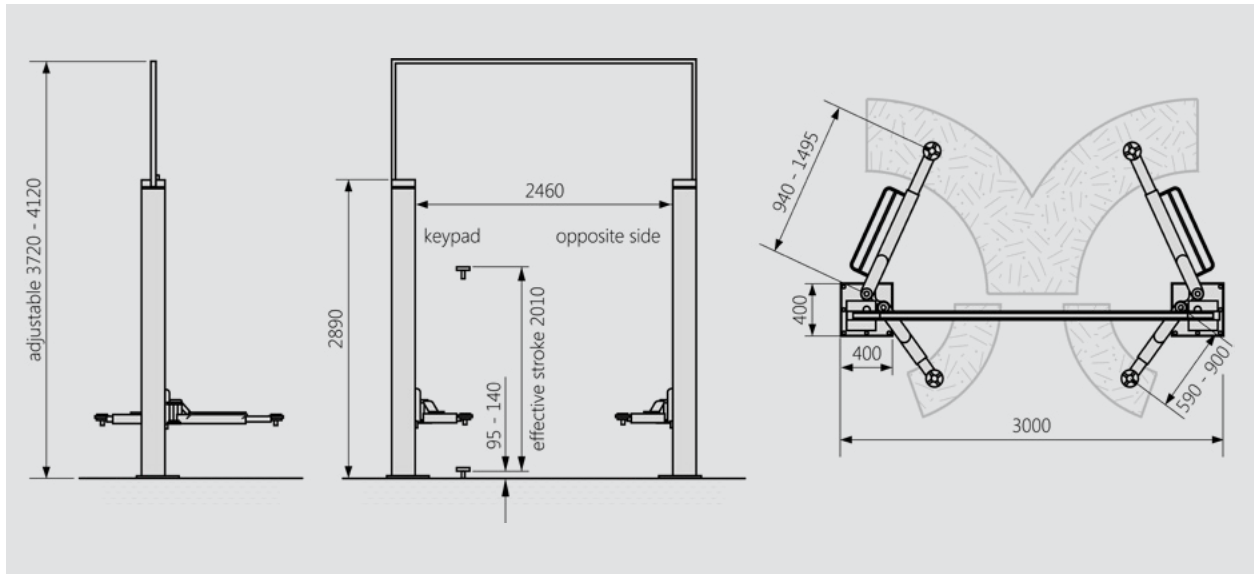
## 2-Post Service Lift

**This quality two-post service lift is electro-mechanically operated and suitable for lifting cars, vans and light trucks up to 3 tonnes.**

- Baseless structure provides a low lifting point
- Asymmetric arms swivel 180° providing optimal door clearance to the vehicle interior
- Twin motors guarantees a safe synchronised balance of both lifting columns
- Flexible height and width position during installation
- Low wear Nylatron nut
- 5 year warranty on spindle and spindle nut
- Resistant Poly-V belt
- Quiet and quick operation
- Manufactured in Germany
- Includes 3 year warranty (UK mainland only)



# Technical Specifications



Part Number: A2C93641100	
Specification	2-Post Service Lift
Capacity	3000kg
Lifting height	2010mm
Lowest lifting point	95mm
Height of columns	2890mm
Overall height (adjustable)	3720 - 4120mm
Overall width	3000mm
Distance between columns	2460mm +/-10cm
Short arm	590 - 900mm
Long arm	940 - 1495mm
Lifting time	40 seconds
Lowering time	40 seconds
Power supply	3Ph, 400V, 50Hz
Motor	2x 1,5kW
Motor speed	1420 rpm
Sound level	≤70dB
Connection by customer	Fuse 16amp (motor rated trip)
Concrete	Quality: C20/25 Depth: 200mm

## Please note:

- It is forbidden to raise the load with one arm
- Diagrams are for illustrative purposes only. All measurements are in millimetres (mm)

E & O E. The Company reserves the right to introduce improvements in design or specification without prior notice. The sale of this product is subject to our standard terms, conditions and relevant product warranty. MY18 July V4