



CDSS1-700
INSTALLATION INSTRUCTIONS

TES1595B
Dec 2010

Contents of the CDSS1-700 Kit

1	Acoustic Tacho	TRDU0113	1
2	Tacho Adapter	AS09185	1
3	RPM Data & Power Lead	AS09398	1
4	Mains lead	CONN3006	1
5	Power Supply	PWRS0030	1
6	USB lead	CABL7014	1
7	Velcro fastener tape	FAST0050	0.3m
8	M4 external washer	WSHR1019	2
9	M4 full nut	NUTS1010	2
10	Cable Tie	CBLX0025	4
11	Cable Tie base	CBLX0063	4

Please check the contents of the CDSS1-700 Kit fully and report any shortages to your supplier immediately.

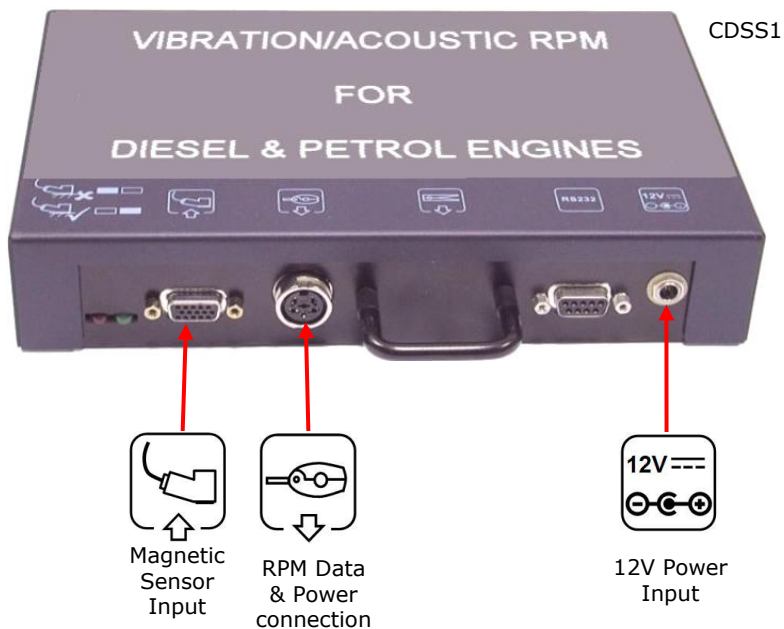
Contents

page no.

Safety	4
CDSS1 Connections	4
Installation Procedure	5
Configuration Procedure	7

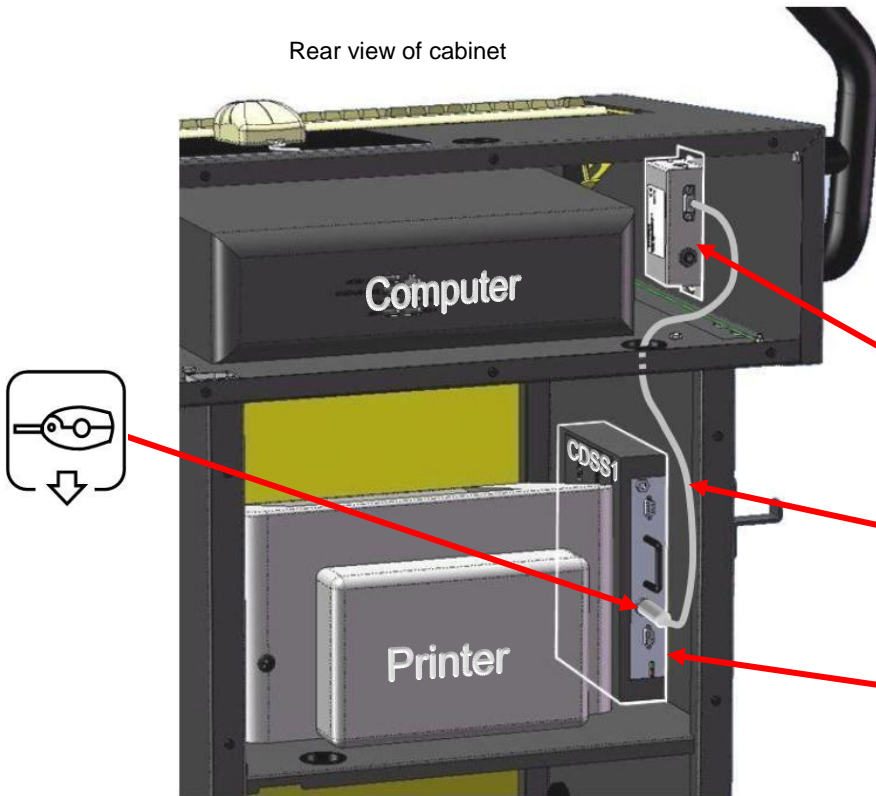
Safety first

- ! Always follow the vehicle manufacturer's instructions when holding the cut off speed of Diesel engines
- ! When mounting the magnetic sensor, be careful to avoid injury from rotating or hot components (e.g. fan, exhaust manifold)
- ! Keep this installation manual in an easily accessible place
- ! Unless authorised, do not remove or make any alteration to any part of the supplied equipment. Contact the supplier
- ! Do not use the CDSS1 for any other purpose than for which it is intended



Installation Procedure

Rear view of cabinet



1 Preparation

Ensure the mains supply to the cabinet is switched off.

Carefully remove both the upper and lower rear panels from the cabinet.

2 Tacho Adapter

Affix the AS09185 Tacho Adapter to the inside of the cabinet using the M4 washers/nuts supplied.

Connect the AS09398 RPM & Data lead and feed down through the access port as shown.

AS09398
RPM & Data Power lead

3 CDSS1

Affix CDSS1 to inside of cabinet next to the printer and connect the AS09398 RPM & Power data lead as shown.

4 Power Supply

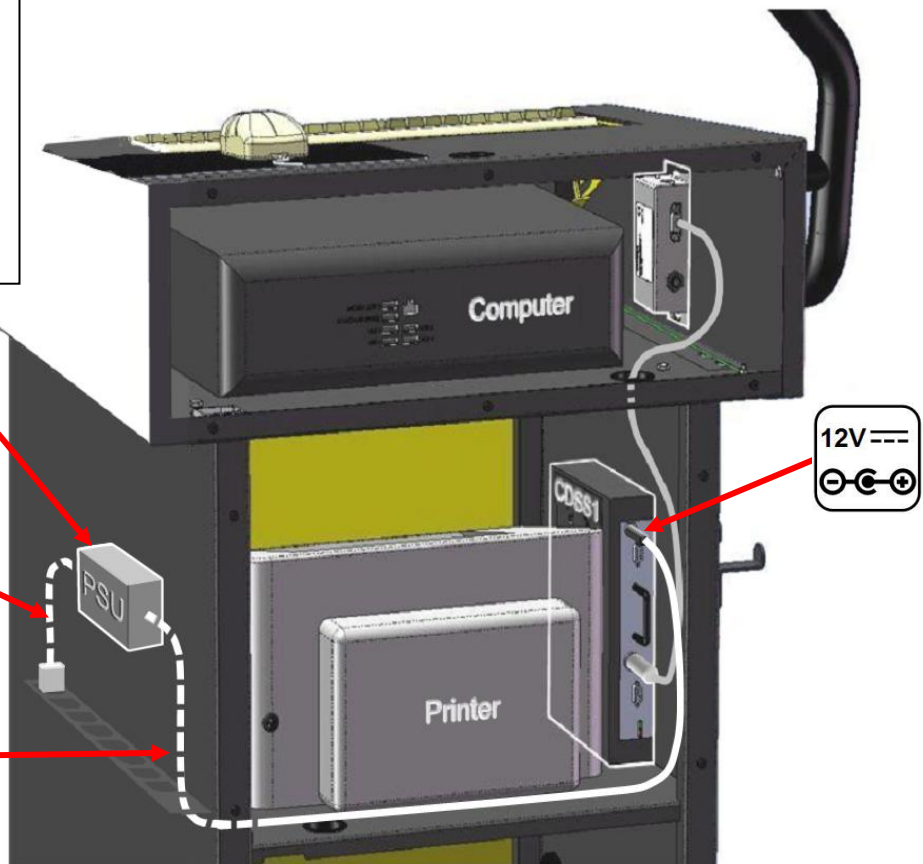
Fit the Power Supply Unit (PSU) on the inside of the cabinet above the mains distribution block and secure with Velcro.

Feed the PSU lead up through the access port and connect to the CDSS1 as shown.

Connect the PSU IEC mains lead to the Distribution Box.

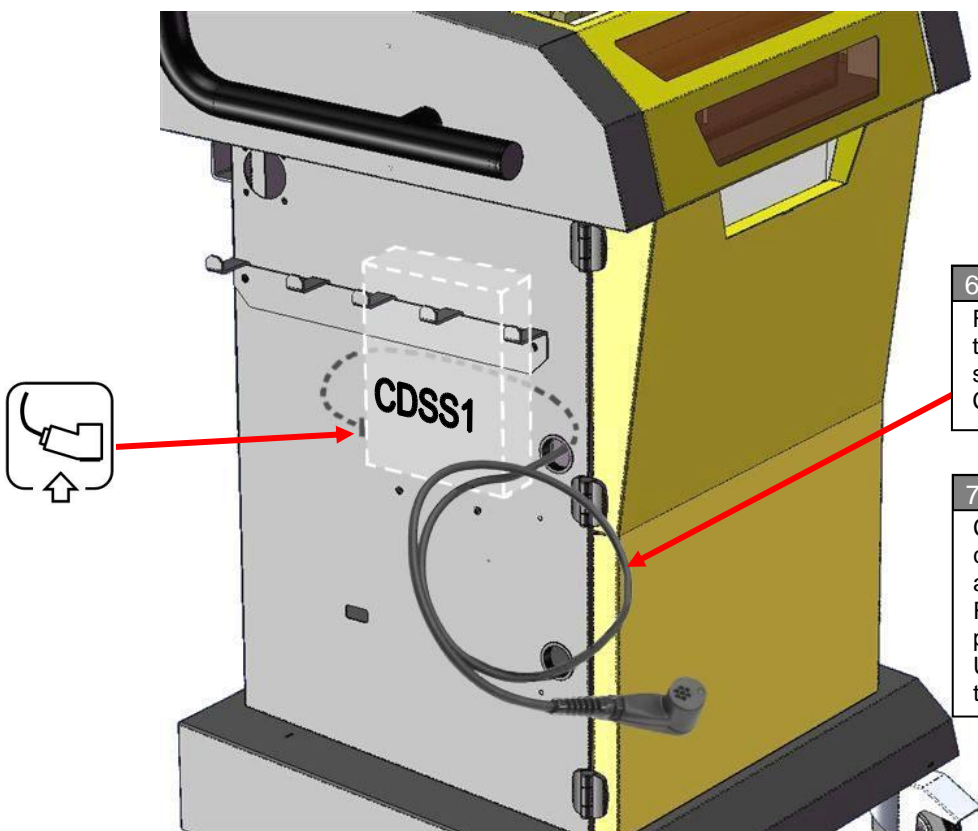
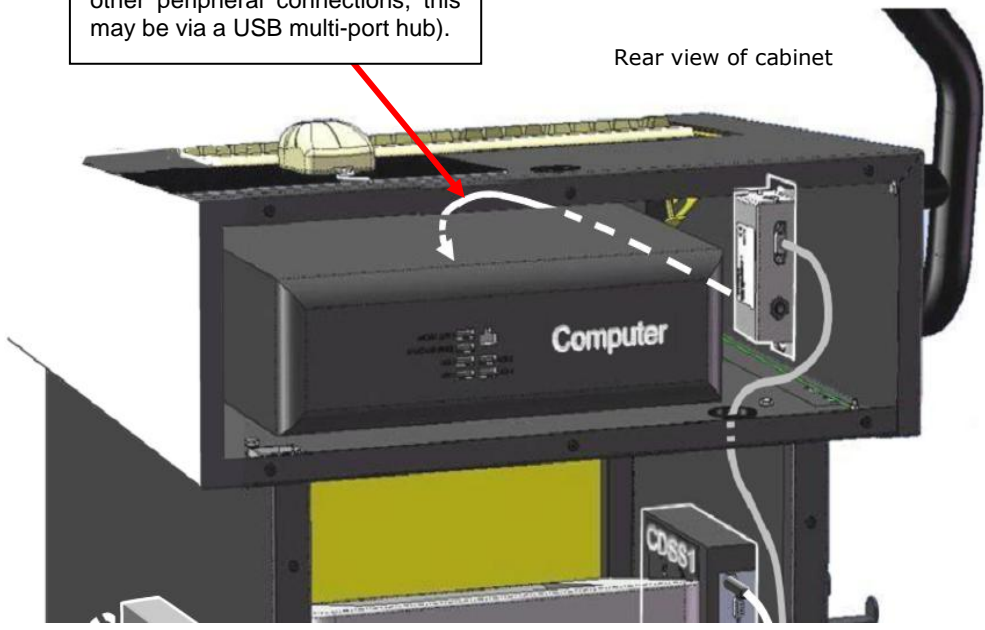
IEC Mains Lead
(connect to Distribution Box)

Power Supply lead
(connect to CDSS1)



5 USB Lead
 Connect the USB lead to the Tacho Adapter and feed through to the front of the PC.

Connect to the upper USB port on the PC front panel (depending on other peripheral connections, this may be via a USB multi-port hub).



6 Magnetic Sensor
 Feed the magnetic sensor lead through the access port on the side of the cabinet and connect to CDSS1 (as shown).

7 Quick check
 Check all fitments and cables are correctly fitted. Ensure all cables are stowed tidily.
 Restrain all the internal cables in position with adhesive cable ties.
 Use the external brackets to stow the Magnetic sensor.

Configuration Procedure

Before newly installed devices can be used, it is necessary to define which com ports they are plugged into. To do this, please proceed with the following instructions:

- 1 Check all the new connections of the kit. Switch on the mains supply to the system and wait for the Windows® operating system to initialise.
- 2 Press the 'Windows' key and the 'Break' key simultaneously to open the 'System Properties' interface, from here select 'Hardware' tab and then 'Device Manager'.
- 3 Open up the section 'Ports (COM & LPT)' to obtain a listing of designated ports.
- 4 Note any listing designated 'Crypton USB Device' and note the (Com) number. (If there are two listings for 'Crypton USB Device' make a note of both numbers).
- 5 From the desktop screen left-click on the 'Start' button. Then select the following: Programs/Crypton/Platform Configuration/Platform Configuration Utility
- 6 From the 'Platform Configuration' select either of the following :
 - a If there was one 'Crypton USB Device' listed select the 'CDSS1' tab. Under 'Port' enter the Com number listed for 'Crypton USB Device'.
 - b If there were two 'Crypton USB Device' listings select the 'D680' tab and note the COM port number allocated for this device. Select the 'CDSS1' tab and under 'Port' enter the Com number that was NOT allocated to the D680 device.
- 7 Select 'Save' then 'Exit'. Close the 'System Properties' interface.

Configuration of the CDSS1-700 is now complete. Start the emissions application and check that the CDSS1 is functioning and responding to vehicle engine accelerations.

If you encounter any problem with the installation and need assistance call Crypton Customer Support on: +44 (0) 844 665 7610

Crypton Ltd. Hopton Industrial Estate, London Road, Devizes, Wiltshire SN10 2EU